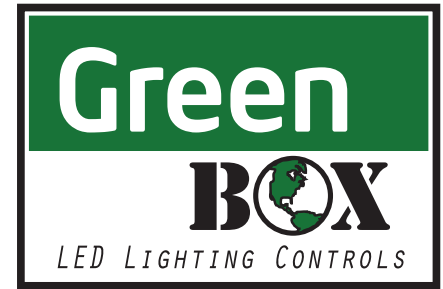


GBX Series

Red Light Controllers

Compact Complete Lighting Solutions
with *Optional GPS Sync & Optional Gateway*
IR Beacons & Markers Available

- Universal Form Factor™ , very compact size (even for Type A2)
- Universal Line Voltage™ , accepts 120V or 240V AC, 50/60 Hz
- DC Version, offers 24V or 48Vdc power solution
- Controls/Monitors up to 4 L-864 Red LED Beacons per controller
- Controls/Monitors up to 24 L-810 Single LED Markers per controller, 12 globes per circuit
- Linkable for Master and Slave configuring up to 4 controllers together, for 16 Beacons and 8 Marker Circuits (up to 48 globes) controlled by one Gateway or Photocell
- Steady or Flashing Beacons and Markers
- Alarms for Each Beacon, Each Marker Circuit, Photocell, Power & Flash Failures
- Day or Night Mode Remote Indicator Alarm
- Mode Control Switch for Manual Override
- Visual Status LEDs for Easy Set-up/Diagnostics
- Learn function for Markers to Calibrate for any tower configuration
- Built-in Fusing Protection for Beacon, Markers, Photocell
- Selectable Flash Rates, 20, 30, 40 Or 60 FPS
- GPS Option Available for Synchronized Flashing between Systems
- Gateway Option Available for Remote Control and Diagnostics
- Low Power Consumption
- Available in Nema 3R or Nema 4 Enclosures
- Every unit is ESA Inspected before shipment
- 5-Year Warranty



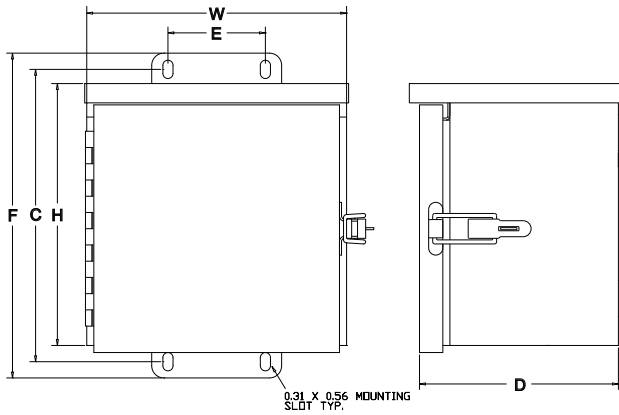
SPECIFICATIONS

Beacons:	Up to 4 LED Beacons	Power:	120-240V AC, 50/60 Hz Also Available in 48Vdc
Markers:	Up to 24 LED Markers	Day Idle Draw:	48mA@120Vac (6VA)
Alarm Relays:	12 - 230V AC/DC, 1 Amp Type I-Form-C Relays	Typical Draw:*	A0, 170mA Steady (21VA) (Night) A1, 525mA Peak (63VA) A2, 1.2A Peak (144VA)
Photocell:	120/230V AC, 50/60 Hz, 1VA (48Vdc with 48Vdc models)	Temperature:	-40°C to +60°C
Suppression:	45 Joule, 275V - Power, PEC, Beacon, Marker & All Alarms	Humidity:	Less than 95% (Non-Condensing)
Enclosure:	Nema 3R or Nema 4	Weight:	12lbs. (5.4kg)

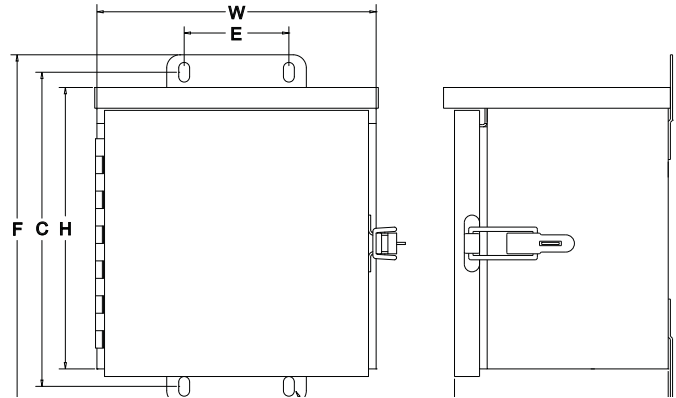
*Figures based on testing with Dialight D464 LED beacons & Dialight RTO LED markers at 126VAC 60Hz, values corrected to 120VAC.

GBX Series

Red LED Lighting Controllers
with Optional Gateway & GPS

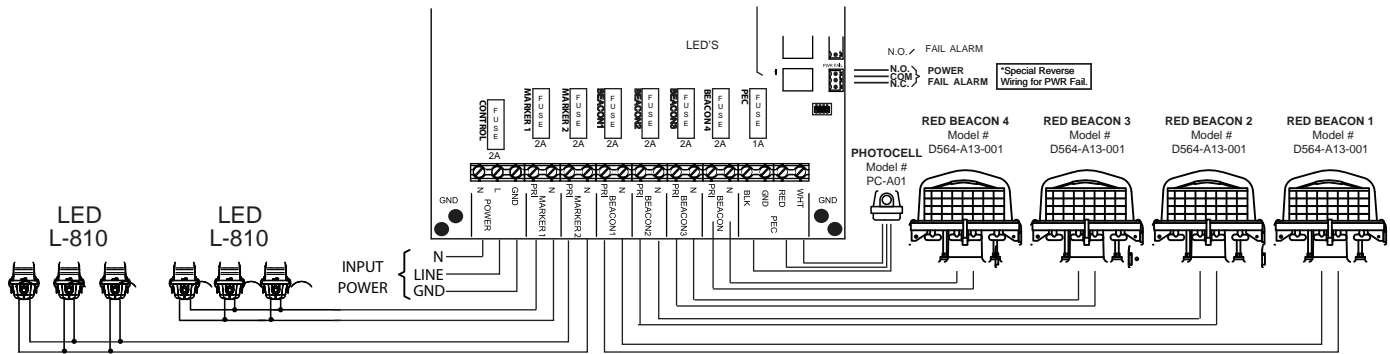


Nema 3R Detail



Nema 4 Detail

Type	Enclosure Size			C	E	F	I
	H	W	D				
Nema 3R	12.06	10.00	6.13	13.00	3.00	14.00	4.00
Nema 4	12.00	10.00	5.00	12.75	8.00	13.50	9.00



ORDERING INFORMATION

ITEM	GREENBOX PART NO.	PART DESCRIPTION
120Vac Systems		
1	GBX-A*	A* Controller in Nema 3R
2	GBX-A*-N4	A* Controller in Nema 4
3	GBX-A*-GW	A* Controller in Nema 4 with Gateway
4	GBX-A*-GPS	A* Controller in Nema 4 with GPS
5	GBX-A*-GW-GPS	A* Controller in Nema 4 w/ Gateway & GPS
48Vdc Systems		
6	GBX-A*-48-N3R	A* Controller in Nema 3R
7	GBX-A*-48	A* Controller in Nema 4
8	GBX-A*-48-GW	A* Controller in Nema 4 with Gateway
9	GBX-A*-48-GPS	A* Controller in Nema 4 with GPS
10	GBX-A*-48-GW-GPS	A* Controller in Nema 4, w/Gateway & GPS
A2 can add Slave Units		* Available in A0, A1, or A2

Red LED Lighting

Distributed By:

RVA Lighting & Masts, Ancaster, ON Canada
416-292-7878 Phone, 416-352-7558 Fax

Specifications subject to
change without notice.