



Dialight® LED Obstruction

Technical Specification Sheet - Medium Intensity Red

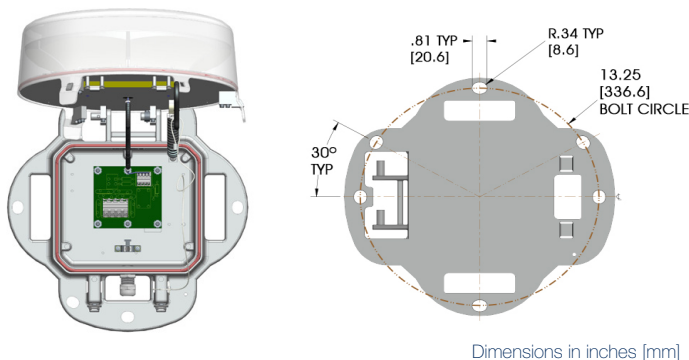
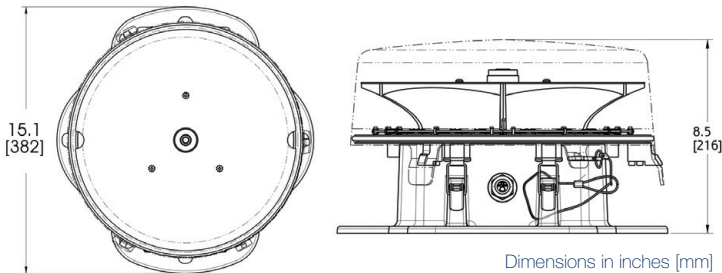
Vigilant® LED Beacon

Medium Intensity (Red)



Certifications & Ratings

- 5 year warranty
- FAA AC 150/5345-43H
- FAA AC 70/7460-1L
- FAA Engineering Brief 67D
- ICAO Annex 14
- Transport Canada CAR 621.19
- CASA
- RCM
- CE



FAA L-864 / ICAO Medium Type B+C

Mechanical Information:

Weight:	21 lbs (9.5 kg)
Mounting Details:	Standard FAA 3 hole & 4 hole pattern
Impact rating:	IK10
Protection Rating:	IP66
Included Hardware:	1/2" NPT cable gland, mounting kit (bolts, nuts, etc.)
Cable Entry Size:	1/2" NPT
Aerodynamic Wind Area:	0.6 ft ²

Electrical Specifications:

Operating Temperature:	-40°F to +131°F (-40°C to +55°C)
Power Factor:	> 0.9
Power Consumption:	
Standard:	23W nominal (AC version); 15W nominal (DC version)
IR Model:	21W nominal (AC version)
Input Current:	120-240 VAC, 50/60 Hz (168mA nominal) 24-48 VDC (625mA nominal)

Construction:

Housing Material:	Powder coated, copper-free, marine grade aluminum
Lens Hardware:	Polycarbonate, UV stabilized & hard coated
Mounting (Two Sets):	Hot dipped galvanized & stainless steel
Latches:	Stainless steel

Photometric Information:

Flash Intensity (nominal):	
Night (Red):	2,000 cd
IR Wavelength:	peak @ 850nm
Flash Rate:	
Night (Red)	20/30/40 flashes per min
IR Pulse Rate	20/30/40 flashes per min
Expected Lamp Life	100,000 hours (approx. 10 years)

All values typical unless otherwise stated (tolerance +/- 10%)

Vigilant® LED Marker

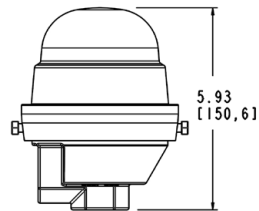
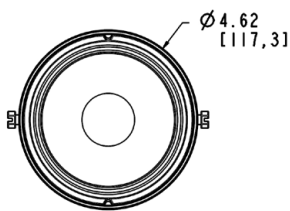
Low Intensity (Red)



Certifications & Ratings

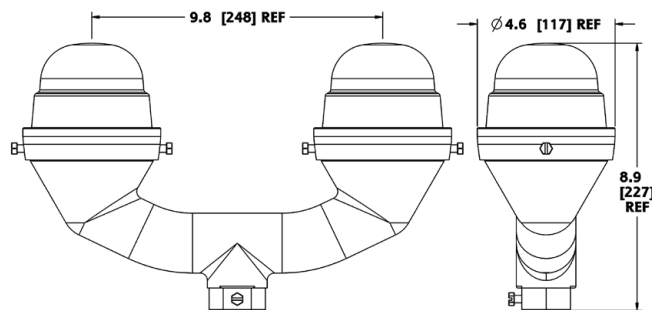
- 5 year warranty
- FAA AC 150/5345-43H
- FAA AC 70/7460-1L
- FAA Engineering Brief 67D
- ICAO Annex 14
- Transport Canada CAR 621.19
- CE

Single Fixture



Dimensions in inches [mm]

Dual Fixture



Dimensions in inches [mm]

FAA L-810 / ICAO Low Type B+E

Mechanical Information:

Weight:	Single unit - 2.00 lbs (0.91 kg) Dual unit - 4.60 lbs (2.09 kg)
Mounting Details:	NPT 3/4" and 1" NPT
Impact Rating:	IK10
Protection Rating:	IP66
Included Hardware:	1" NPT plug
Cable Entry Size:	NPT 3/4" and 1" NPT
Aerodynamic Wind Area:	0.15 ft ²

Electrical Specifications:

Operating Temperature: -40°F to +131°F (-40°C to +55°C)

Power Factor: > 0.9

Power Consumption:

Standard

Single & Dual Units - 1.5W nominal (DC version)
6.5W nominal (AC version)

IR Models

Single & Dual Units - 5.0 W (DC version)
5.5 W (AC version)

Input Current: 120-240 VAC, 50/60 Hz (55mA nominal)
12-48 VDC (63mA nominal)

Photometric Information:

Flash Intensity (nominal):

Night (Red): 32 cd
IR Wavelength: peak @ 850nm

Flash Rate:*

Night (Red) 20/30/40 flashes per min
IR Pulse Rate 20/30/40 flashes per min

Expected Lamp Life 100,000 hours (approx. 10 years)

*Can also operate as steady burn

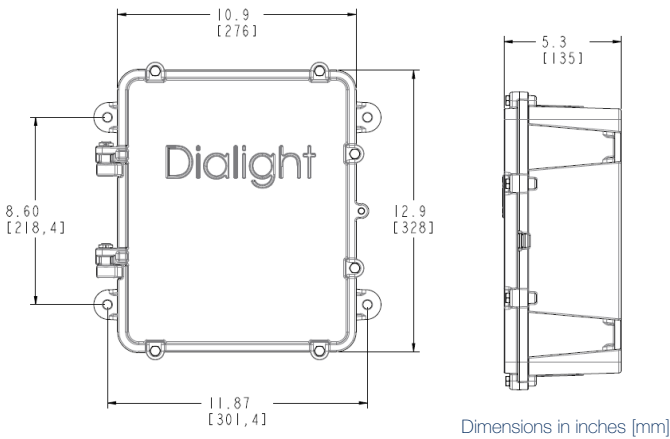
All values typical unless otherwise stated (tolerance +/- 10%)

Vigilant® LED Controller

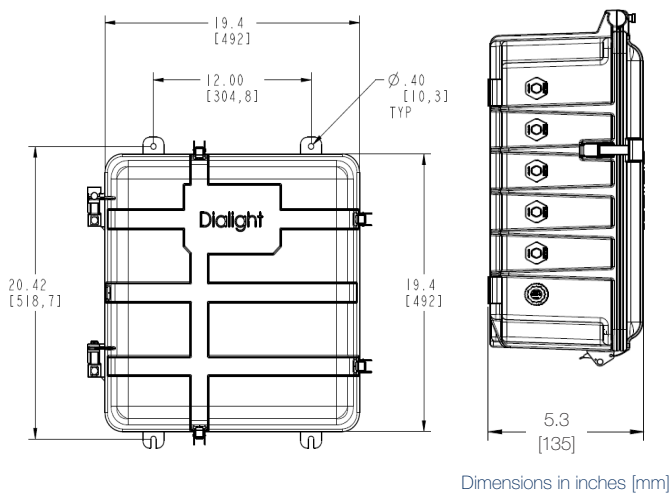
Low & Medium Intensity



A0-A1



A1-A6



AC or DC Controller

FAA Tower Types: A0-A1

Weight:	16 lbs (7.3 kg)
Operating Temperature:	-40°F to +131°F (-40°C to +55°C)
Protection Rating:	IP66, NEMA 4X
Power Consumption:	3.5W (AC) / 2.6w (DC)
Material:	Powder coated, copper-free, marine grade aluminum
Cable Entry:	Size: 3/4" NPT number of openings: 6
Included Hardware:	3/4" NPT cord grips & plugs
Configurable Options:	Flash rates

All values typical unless otherwise stated (tolerance +/- 10%)

AC Controller

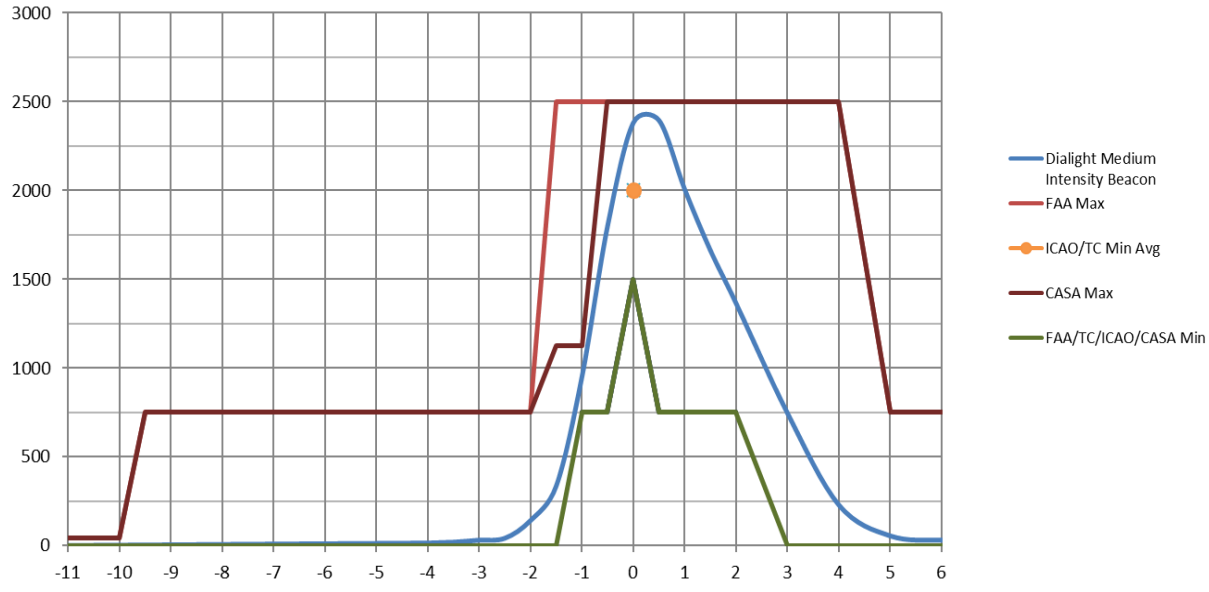
FAA Tower Types: A1-A6

Weight:	49.5 lbs (22.5kg)
Operating temperature:	-40°F to +131°F (-40°C to +55°C)
Protection Rating:	IP66, NEMA 4X
Power Consumption:	12W
Material:	Powder coated, copper-free, marine grade aluminum
Cable Entry:	Size: 3/4" NPT Number of openings: 6
Included Hardware:	3/4" NPT cord grips & plugs
Configurable Options:	Flash rates

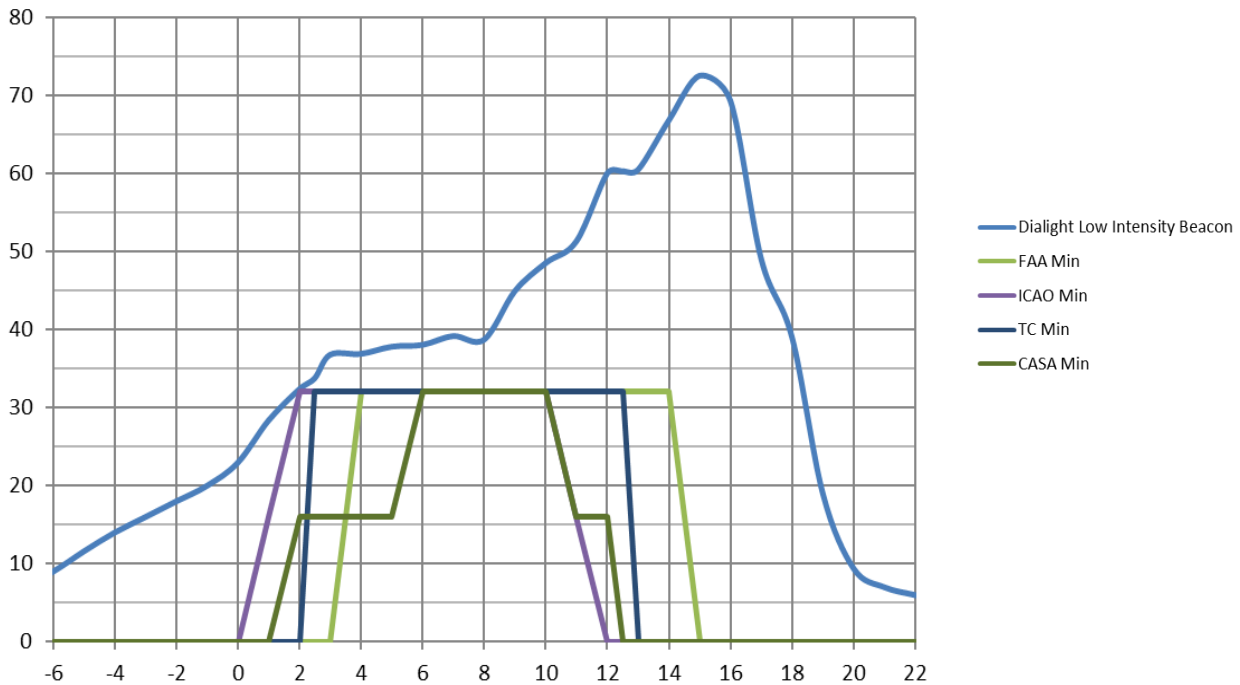
All values typical unless otherwise stated (tolerance +/- 10%)

Light Output Charts

Medium Intensity (Red) Beacon



Low Intensity (Red) Beacon



Ordering Information

Flash Head (L-864)

Input	Part Number	Description
120-240 VAC	D564A13001	Red Medium Intensity Flash Head
120-240 VAC	D564R13001	Red Medium Intensity Flash Head w/IR*
24-48 VDC	D564A54001	Red Medium Intensity Flash Head

Side Markers (L-810)

Input	Part Number	Description
12-48 VDC	RTO1R18001	FAA L-810 Low Intensity Side Marker: DC Input
12-48 VDC	RTOCR08001	FAA L-810 Low Intensity Side Marker w/IR: DC Input*
120-240 VAC	RTO1R07001	FAA L-810 Low Intensity Side Marker: AC Input
277 VAC	RTO1R06001	FAA L-810 Low Intensity Side Marker: AC Input
120-240 VAC	RTOCR07001	FAA L-810 Low Intensity Side Marker w/IR: AC Input*
120-240 VAC	RTO1R07001EU	ICAO Type B & E: AC Input

Controllers

Input	Part Number	Description
24-48 VDC	D5RB55CCTR	Red Medium Intensity Controller: DC Input, 2 Outputs
120-240 VAC	D5RB77CCTR	Red Medium Intensity Controller: AC Input, 2 Outputs
120-240 VAC	D5RE77CCTR	Red Medium Intensity Controller: AC Input, 12 Outputs
120-240 VAC	D5RG77CCTR	Red Medium Intensity Controller: AC Input, 18 Outputs

Photocell

Part Number	Description
D2566000PEC	Photocell: Single 3/4" NPT Entry

*Optically compliant to FAA Engineering Brief 98

North American HQ

1501 Route 34 South
Farmingdale, NJ 07727
Tel: 732-919-3119
Fax: 732-751-5778
info@dialight.com

EMEA Technical Centre

Ejby Industrivej 91 B
200 Glostrup
Tel: +45 8877 4545 (Denmark)
Tel: +44 1638 666541 (UK)
Tel: +49 89 12089 5713 (Germany)
Tel: +33 3 23 22 62 58 (France)
sales-europe@dialight.com

Houston

16830 Barker Springs Rd
Ste 407,
Houston, TX 77084
Tel: 732-919-3119
Faz: 281-492-1531
info@dialight.com

Middle East

Level 42
Emirates Towers (Office Tower)
Sheikh Zayed Road
Dubai, United Arab Emirates
Fax: +971 (0) 4319 7686
Tel: +971 (0) 4319 7686

Australia

38 O'Malley Street
Osborne Park, WA 6017
Tel: +61 (0) 8 9244 7600
Fax: +61 (0) 8 9244 7601
info@dialight.com.au

Southeast Asia

33 Ubi Avenue 3
#07-72 Vertex (Tower A)
Singapore 408868
Tel: +65 6578 7157
Fax: +65 6578 7150
enquiry@dialight.com.sg

Brazil

Alameda Mercurio,
225 – American Park Empresarial NR
Indaiatuba – SP – 13347– 662
Tel: +55 (19) 3113-4300
Fax: +55 (19) 3113-4300
brasil@dialight.com

All values and performance data contained herein are design or typical values when measured under laboratory conditions. Dialight products are intended for ultimate purchase by industrial users and for operation by persons trained and experienced in the use and maintenance of this equipment. While every precaution has been taken to ensure accuracy and completeness of the information in this document, this document does not form part of any contract with Dialight and Dialight does not assume any liability for damages resulting from the use of this information, including any information on third party websites linked to from this document. The information in this document is subject to change without notice. The products or software referenced in this document are subject to the applicable warranties and terms and conditions of use/purchase. Unless agreed otherwise in writing, Dialight does not warrant or represent that its products are fit for a particular purpose and accepts no responsibility for the installation or unauthorised use of its products.

Dialight reserves the right to make changes at any time in order to supply the best product possible.

The most current version of this document will always be available at: www.dialight.com